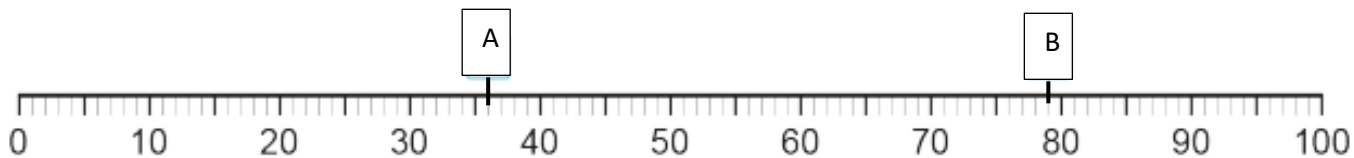


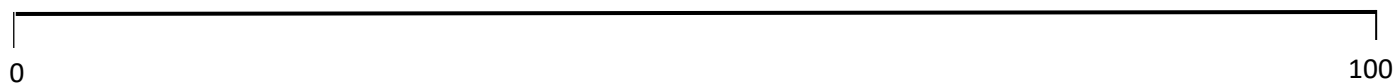
Today you are going to be estimating. That means having a sensible guess based on what you already know.



Estimate the number at A _____

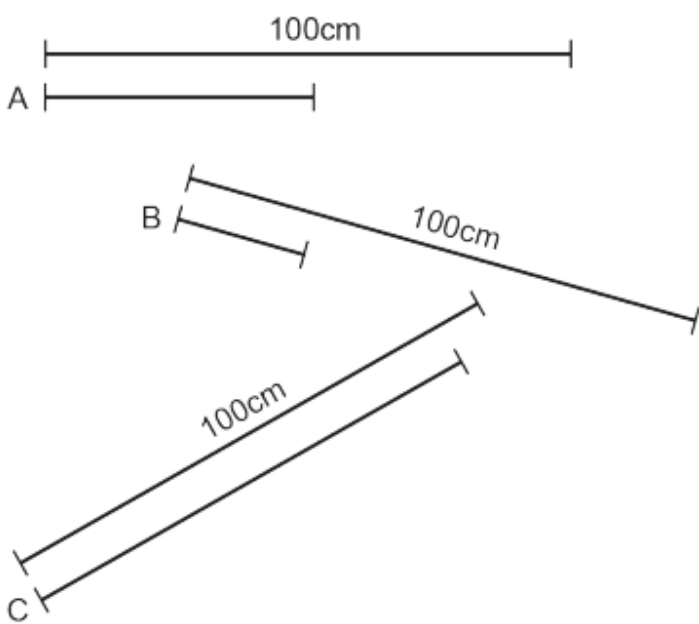
Estimate the number at B _____

Where would the numbers 40 and 60 be on this number line?



Look at the lines A, B and C.

Estimate how long they are.



A = _____ cm

B = _____ cm

C = _____ cm

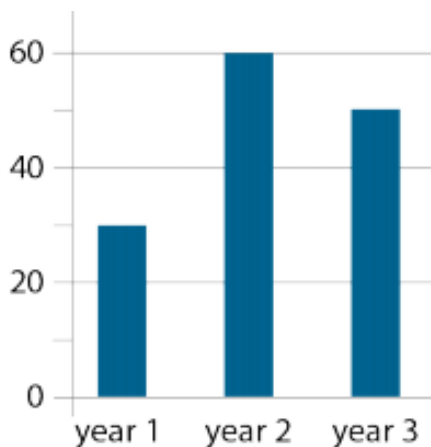
This table shows some people's favourite sport.

Which sports were chosen by between 20 and 30 people?

Favourite sport	Number of pupils
netball	24
basketball	19
tennis	12
football	32
hockey	6
swimming	28
gymnastics	15

This bar chart shows the number of people in different year groups in another school.

Estimate how many people there are in Year 1?



Fill in the missing numbers

